

## **SCT236x Evaluation Board User's Guide**

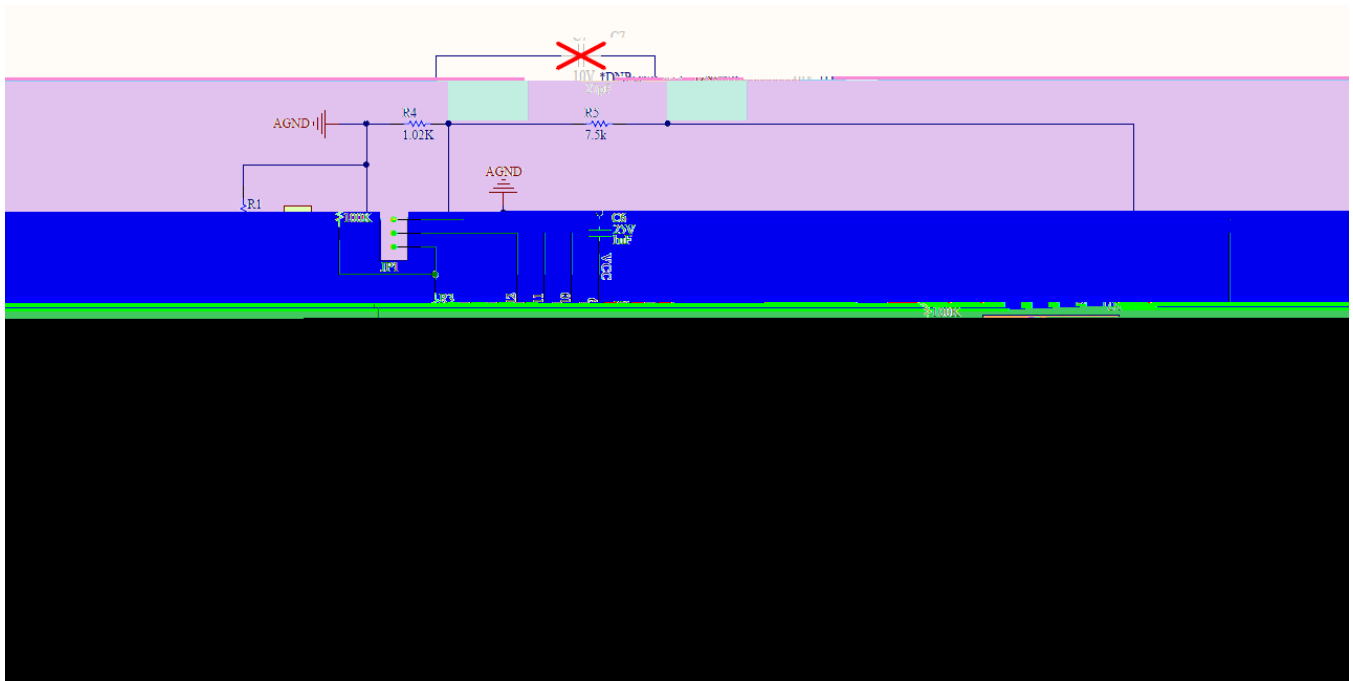
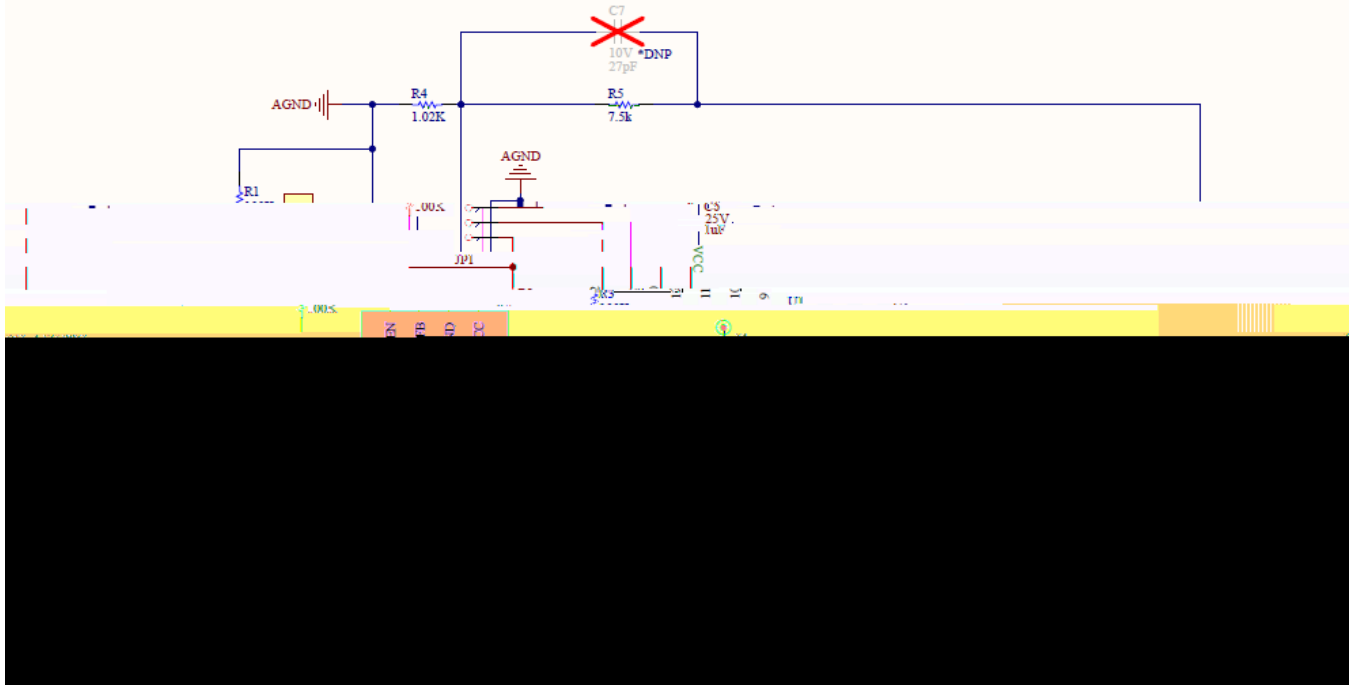
### **FEATURES**

- 
- 
- 
-

## **QUICK START PROCEDURE**



## SCHEMATIC DIAGRAM



## BILL OF MATERIALS

Footprint	Part Number	Manufacture	Designator	Description	Quantity
-----------	-------------	-------------	------------	-------------	----------

---

---





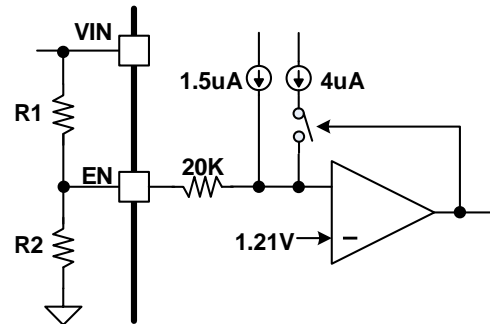
## OPTIONAL MODIFICATION

### Under Voltage Lockout Threshold

$$V_{\text{rise}} = 1.18 \left( 1 + \frac{R1}{R2} \right) - 1.5\mu\text{A} \cdot R1 \quad (1)$$

$$V_{\text{fall}} = 1.1 \left( 1 + \frac{R1}{R2} \right) - 5.5\mu\text{A} \cdot R1 \quad (2)$$

- 
- 



## IMPORTANT NOTICE

This evaluation board kit being sold or provided by Silicon Content Technology is intended for use for ENGINEERING DEVELOPMENT OR EVALUATION PURPOSES ONLY and is not provided by SCT for commercial use. As such, the evaluation board herein may not be complete in terms of required design, marketing, and/or manufacturing related protective considerations, including but not limited to product safety measures typically found in finished commercial goods. The user assumes all responsibility and liability for proper and safe handling of the goods. Further, the user releases SCT from all claims